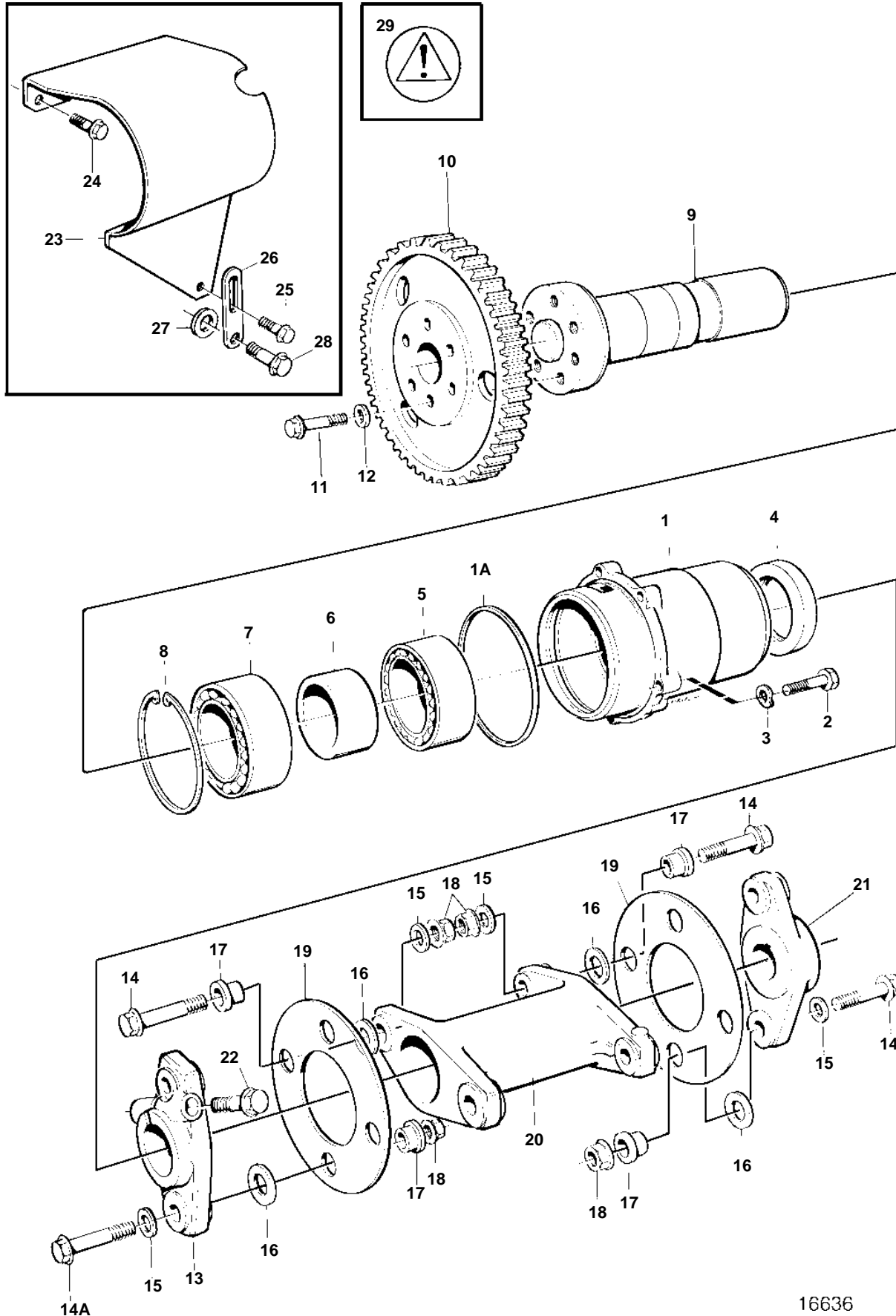


TAMD102D



16636

TAMD102D

REF	PART NO.	QTY	DESCRIPTION	SEE SEC.	NOTES
1	478799	1	Bearing housing		
1A	423123	1	Sealing ring		
2	940159	5	Screw		
3	941907	5	Spring washer		
4	1546221	1	Sealing ring		
5	11014	1	Ball bearing		
6	1546132	1	Stop ring		
7	184788	1	Ball bearing		
8	914540	1	Lock ring		
9	478411	1	Axle shaft		
10	478429	1	Gear, nitrocarburized		
11	471534	6	Screw		
12	942385	6	Disc spring		
13	1556186	1	Companion flange		
14	965185	6	Flange screw		L=40mm
14A	965220	2	Flange screw		L=45mm
15	960148	8	Washer		10,5x22x2mm
16	479399	8	Washer		15x28x2mm
17	478897	8	Sleeve		
18	971095	8	Nut		
19	479458	8	Disc		
20	1543804	1	Intermediate section		
21	420857	1	Companion flange		
22	1556285	1	Screw		
23	866075	1	Pump coupling guard	OP	
24	965175	1	Screw		
25	946544	1	Flange screw		
26	849138	1	Bracket		
27	955900	1	Washer		
28		1	Screwengine bracket	753	
29	853717	1	Decal		"WARNING". To be placed on the pump companion guard.